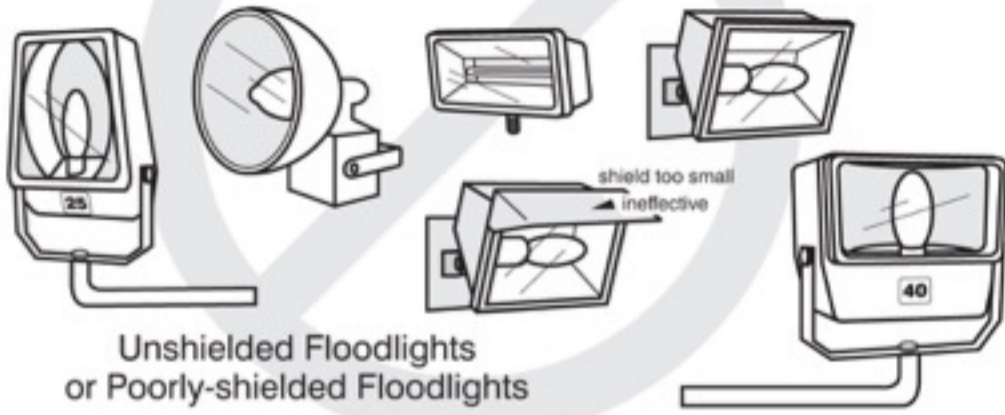


Examples of Acceptable / Unacceptable Lighting Fixtures

Unacceptable / Discouraged

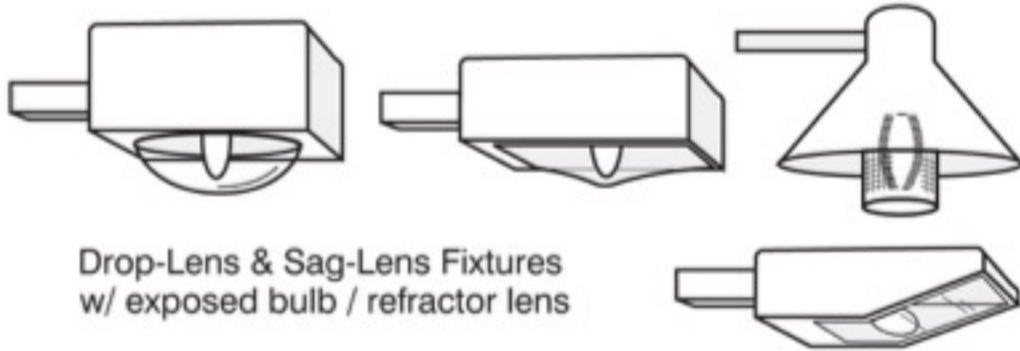
Fixtures that produce glare and light trespass



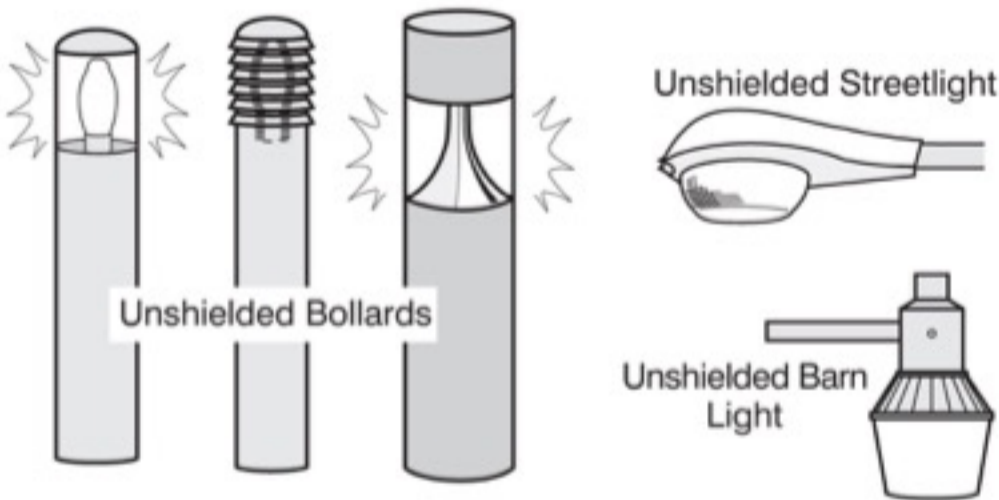
Unshielded Floodlights or Poorly-shielded Floodlights



Unshielded Wallpacks & Unshielded or Poorly-shielded Wall Mount Fixtures



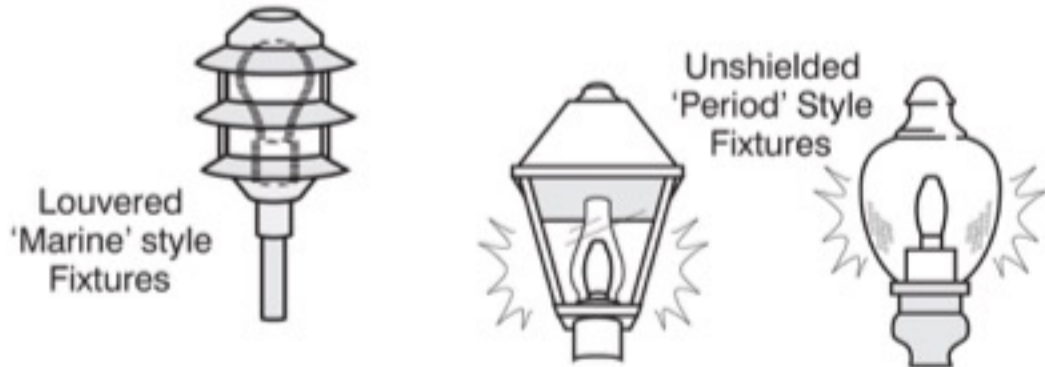
Drop-Lens & Sag-Lens Fixtures w/ exposed bulb / refractor lens



Unshielded Bollards

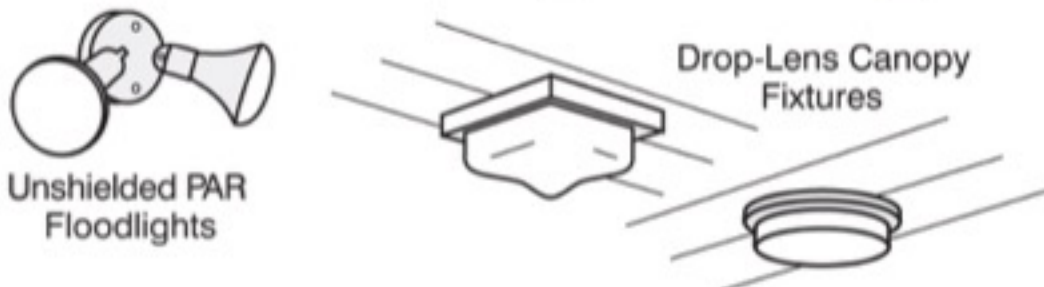
Unshielded Streetlight

Unshielded Barn Light



Louvered 'Marine' style Fixtures

Unshielded 'Period' Style Fixtures

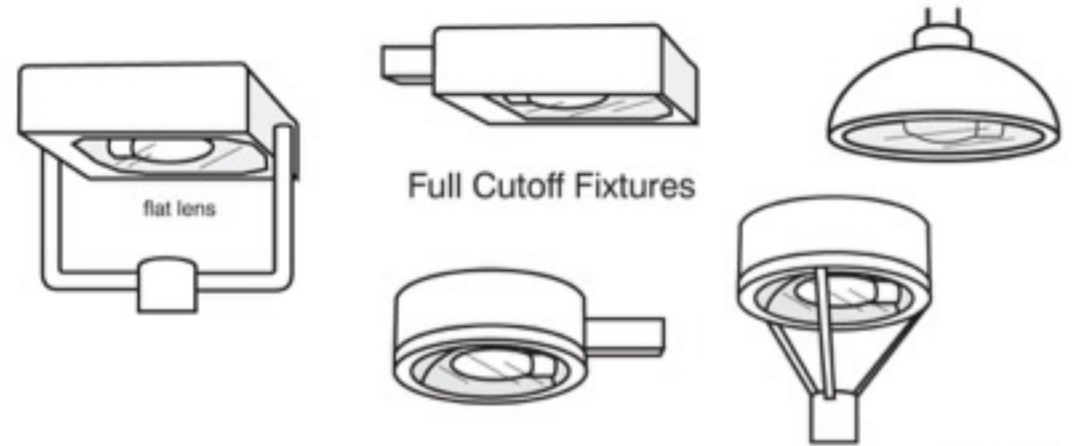


Unshielded PAR Floodlights

Drop-Lens Canopy Fixtures

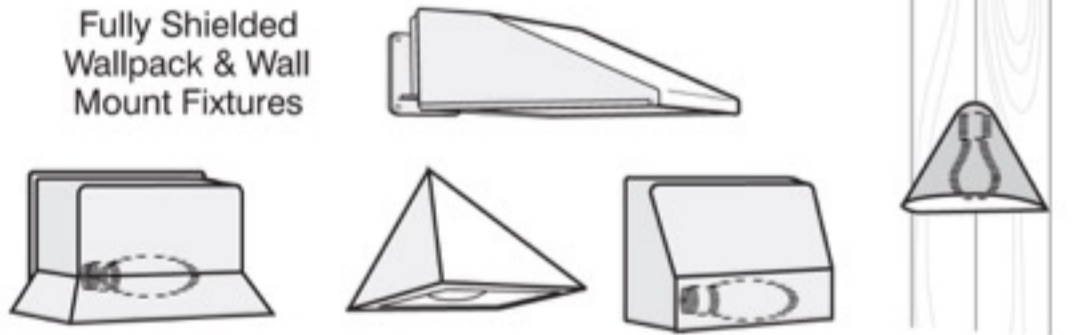
Acceptable

Fixtures that shield the light source to minimize glare and light trespass and to facilitate better vision at night

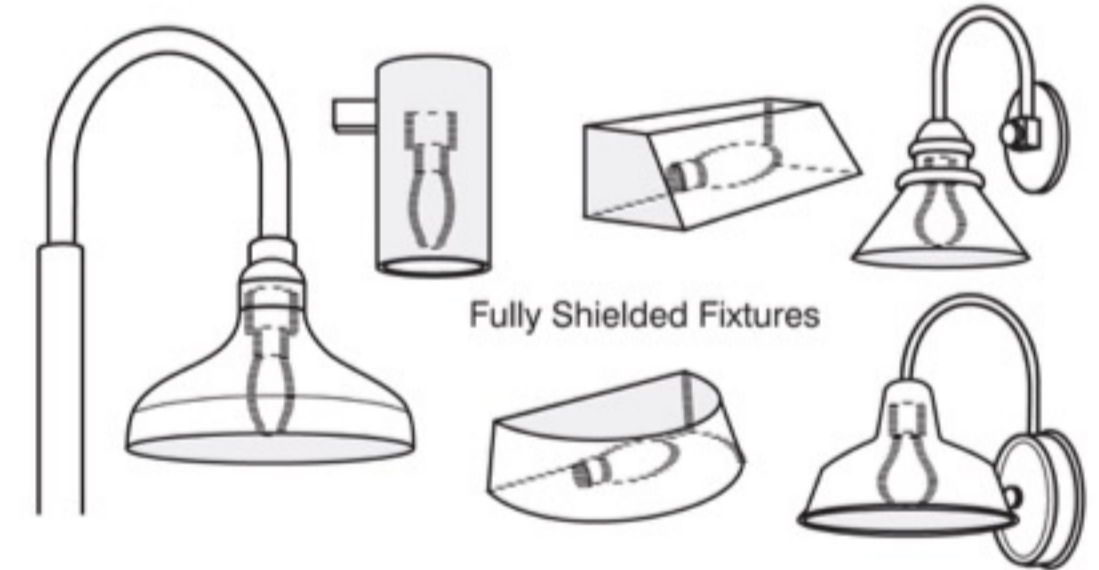


flat lens

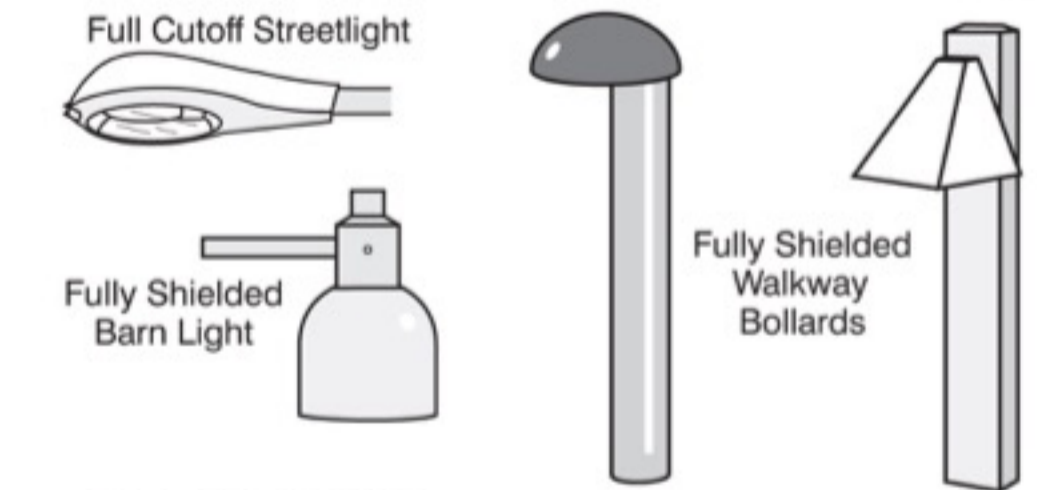
Full Cutoff Fixtures



Fully Shielded Wallpack & Wall Mount Fixtures



Fully Shielded Fixtures



Full Cutoff Streetlight

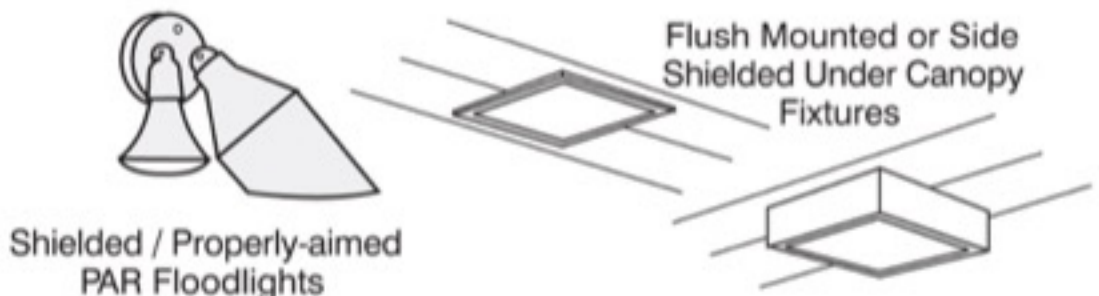
Fully Shielded Barn Light

Fully Shielded Walkway Bollards



Fully Shielded Decorative Fixtures

Fully Shielded 'Period' Style Fixtures



Shielded / Properly-aimed PAR Floodlights

Flush Mounted or Side Shielded Under Canopy Fixtures